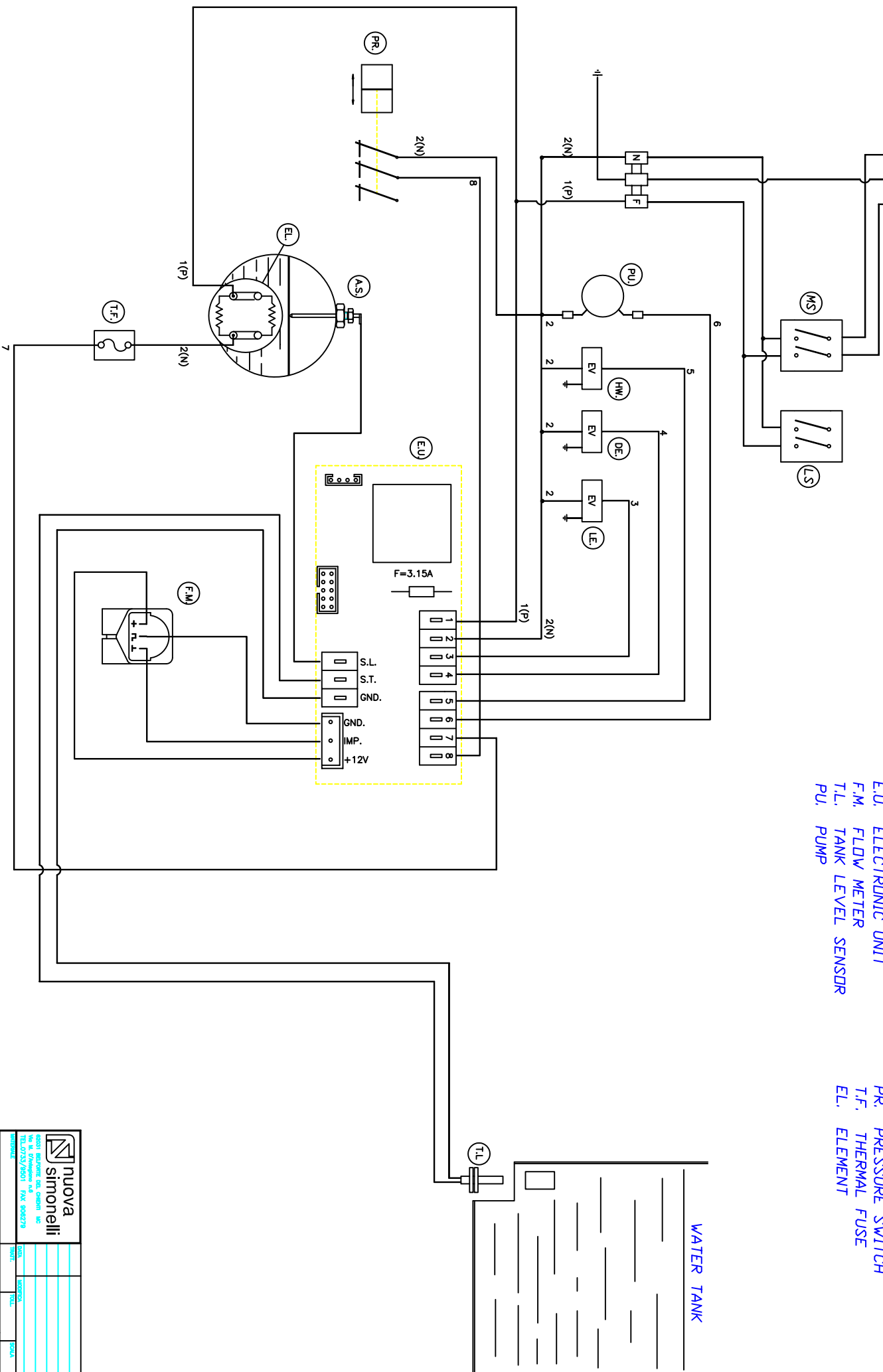


ELECTRICAL SCHEME coffee machine mod. MUSICA

120V-60Hz
230V-50Hz

GROUND
NEUTRAL
PHASE



- A.S. AUTO-LEVEL SENSOR
- M.S. MAIN SWITCH
- L.S. LIGHT SWITCH
- E.U. ELECTRONIC UNIT
- F.M. FLOW METER
- T.L. TANK LEVEL SENSOR
- P.U. PUMP
- H.W. HOT WATER ELECTROVALVE
- DE. COFFEE DELIVERY ELECTROVALVE
- LE. LEVEL ELECTROVALVE
- PR. PRESSURE SWITCH
- T.F. THERMAL FUSE
- EL. ELEMENT

		MODEL: _____ VERSION: _____ DATE: _____ DRAWN BY: _____ CHECKED BY: _____ APPROVED BY: _____ DATE: _____	
SCHEMA ELETTRICO / ELECTRICAL SCHEME		SCALE: _____	SHEET: _____
MUSICA		MODEL: _____	DATE: _____